



JDV  
CONTROL  
VALVES

# ***JBF Series***

**Floating Type Soft Seat Ball Valve**

浮动式软密封球阀





**JDV  
CONTROL  
VALVES**

# JBF Series

## Floating Type Soft Seat Ball Valve

### 浮动式软密封球阀

**Full Bore Two-Piece Flanged Ends 全口径两片式法兰球阀**

**JIS 10/20/40K ANSI 150/300/600LB DIN PN10/16/25/40**



JBF系列90度旋转球阀广泛应用于石油、天然气、采矿、石化、电力等行业，另外可根据客户的不同需求选择防火型、阀杆延伸型、寿命延长型，从而达到更安全、更广泛的应用。

### Applicable Standards 适用标准

- Body material(阀体材质): Standard in WCB, CF8, CF8M  
Special material is available according to requirements  
(可根据客户需求提供相应的特殊材质)
- Nominal size(公称直径): 1/2"-12"(DN15-DN300)
- End connections(端部连接形式): RF, RTJ
- Temperature range(温度范围): -50 Deg C To 180 Deg C
- Face-To-Face Dimensions(法兰面间距尺寸):  
JIS B2003&ANSI B16.10& DIN 3202 F4/F5
- Flanged Dimensions(法兰尺寸):  
JIS B2220/2238&ANSI B16.5&DIN 2632/2633/2634/2635
- Body Pressure Test Rating(阀体压力测试标准): JIS B2002&ANSI B16.34&API598
- Seat Leakage(阀座泄漏标准): JIS B2003 &ANSI B16.34 &API598 CLASS VI
- Casting(铸造标准): MSS-SP-25 MSS-SP-55
- NACE: MR-01-75

腐蚀工程师协会标准: (可提供)油田设备用抗硫化物应力腐蚀断裂和应力腐蚀裂纹的金属材料。





## Options:

1. Fire-Safe Design Conforms To API 607 4<sup>th</sup>
2. Long Stem

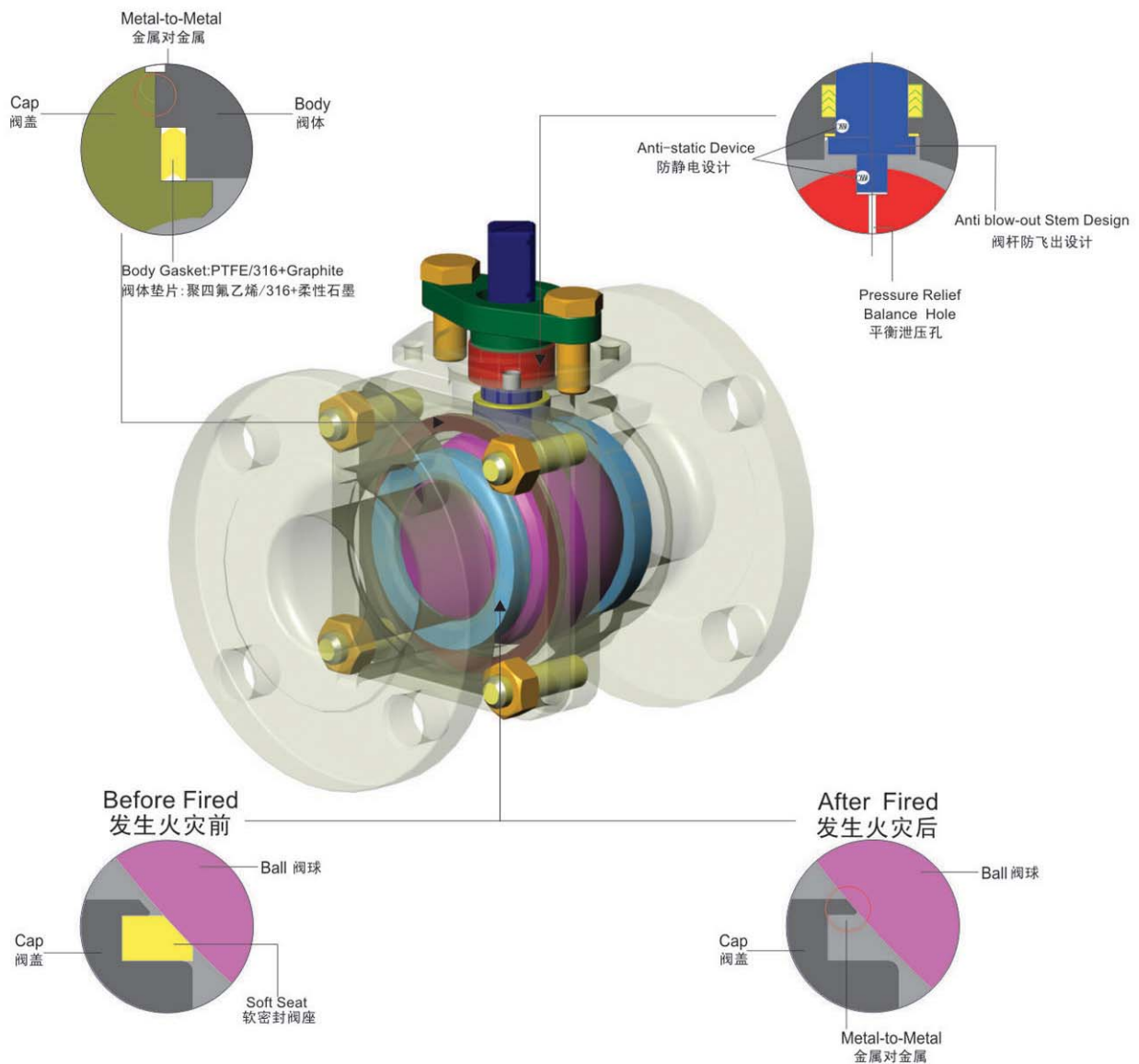
## 可供选项:

1. 防火安全设计符合API607 4th
2. 延伸型阀杆



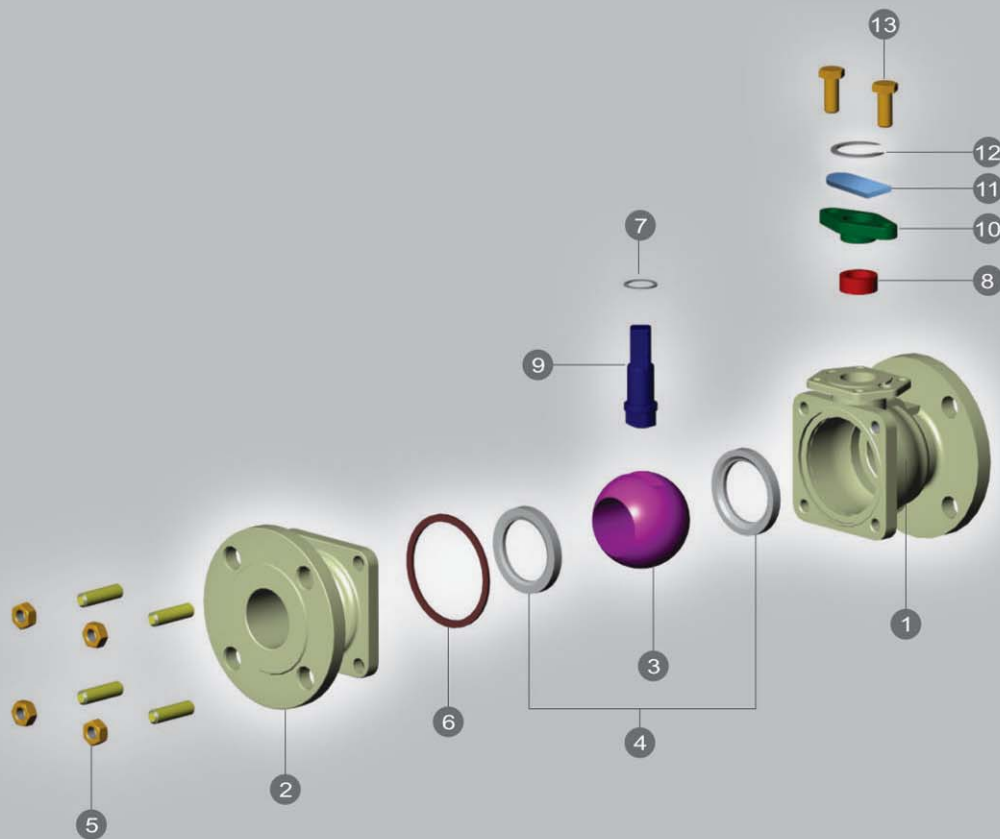
API 607 4<sup>th</sup>

## Design & Structures 设计&结构





**JDV  
CONTROL  
VALVES**

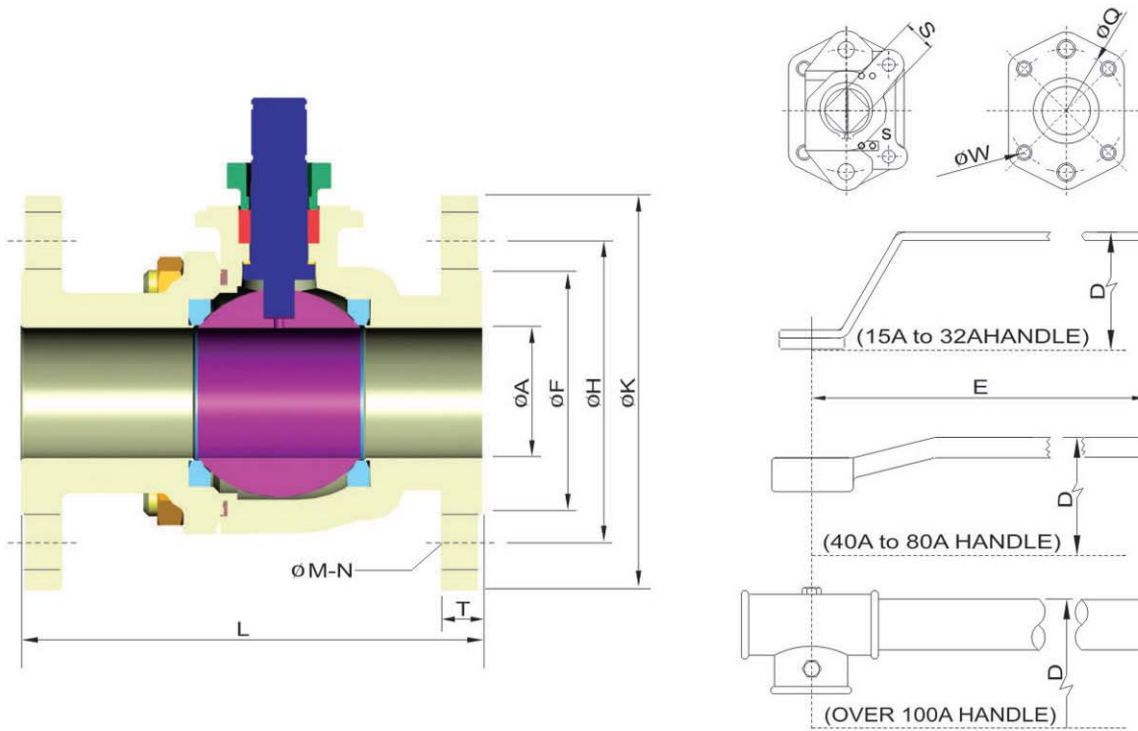


### MATERIAL 材质表

NO	PART NAME	MATERIAL		
1	BODY 阀体	WCB (SCPH2)	CF8 (SCS13A)	CF8M (SCS14A)
2	CAP 阀盖	WCB (SCPH2)	CF8 (SCS13A)	CF8M (SCS14A)
3	BALL 阀球	CF8 (SCS13A)		CF8M (SCS14A)
4	SEAT 阀座	PTFE / G-PTFE / C-PTFE / S-PTFE / TFM-1600		
5	BOLT&NUT	B7&7	B8&8	
6	BODY GASKET 阀体垫片	PTFE/GRAPHITE (FIRE SAFE)		
7	THRUST WASHER	PTFE		
8	PACKING 填料	PTFE/GRAPHITE (FIRE SAFE)		
9	STEM 阀杆	SUS304		SUS316
10	GLAND 压盖	CF8 (SCS13A)		
11	TRAVEL STOP	SUS 304		
12	SNAP CATCH	SUS 304		
13	GLAND BOLT	SUS 304		
14	HANDLE 手柄	FCD45(15A~80A) / SGP/FCD45(100A~300A)		

Above materials may vary with different using conditions.

以上阀门部件的材质为标准配置，可根据客户需求和工况选择其他材质



## DIMENSION (JBF-A1 SERIES JIS-10K)

(M.M.)

SIZE	A	D	S	E	L	K	T	H	F	M	N	Q	W	
15	1/2"	15	63	10	130	108	95	12	70	51	15	4	42	M5
20	3/4"	20	68	10	130	117	100	14	75	56	15	4	42	M5
25	1"	25	76	12	160	127	125	14	90	67	19	4	50	M6
40	1-1/2"	38	88	17	224	165	140	16	105	81	19	4	70	M8
50	2"	50	94	17	224	178	155	16	120	96	19	4	70	M8
65	2-1/2"	65	115	20	324	190	175	18	140	116	19	4	70	M8
80	3"	76	120	20	324	203	185	18	150	126	19	8	70	M8
100	4"	100	195	27	400	229	210	18	175	151	19	8	102	M10
125	5"	125	220	27	550	356	250	20	210	182	23	8	102	M10
150	6"	150	240	32	550	394	280	22	240	212	23	8	125	M12
200	8"	200	300	35	1000	457	330	22	290	262	23	12	140	M16
250	10"	250	355	35	1000	533	400	24	355	324	25	12	140	M16
300	12"	300	-	46	-	610	445	24	400	368	25	16	165	M20

## DIMENSION (JBF-A2 SERIES JIS-20K)

(M.M.)

SIZE	A	D	S	E	L	K	T	H	F	M	N	Q	W	
15	1/2"	15	63	10	130	140	95	14	70	51	15	4	42	M5
20	3/4"	20	68	10	130	152	100	16	75	56	15	4	42	M5
25	1"	25	76	12	160	165	125	16	90	67	19	4	50	M6
40	1-1/2"	38	88	17	224	190	140	18	105	81	19	4	70	M8
50	2"	50	94	17	224	216	155	18	120	96	19	8	70	M8
65	2-1/2"	65	115	20	324	241	175	20	140	116	19	8	70	M8
80	3"	76	120	20	324	283	200	22	160	132	23	8	70	M8
100	4"	100	195	27	400	305	225	24	185	160	23	8	102	M10
150	6"	150	240	32	550	403	305	28	260	230	25	12	125	M12
200	8"	200	300	35	1000	502	350	30	305	275	25	12	140	M16
250	10"	250	355	35	1000	568	430	34	380	345	27	12	140	M16
300	12"	300	-	46	-	648	480	36	430	395	27	16	165	M20

## DIMENSION (JBF-A3 SERIES JIS-40K)

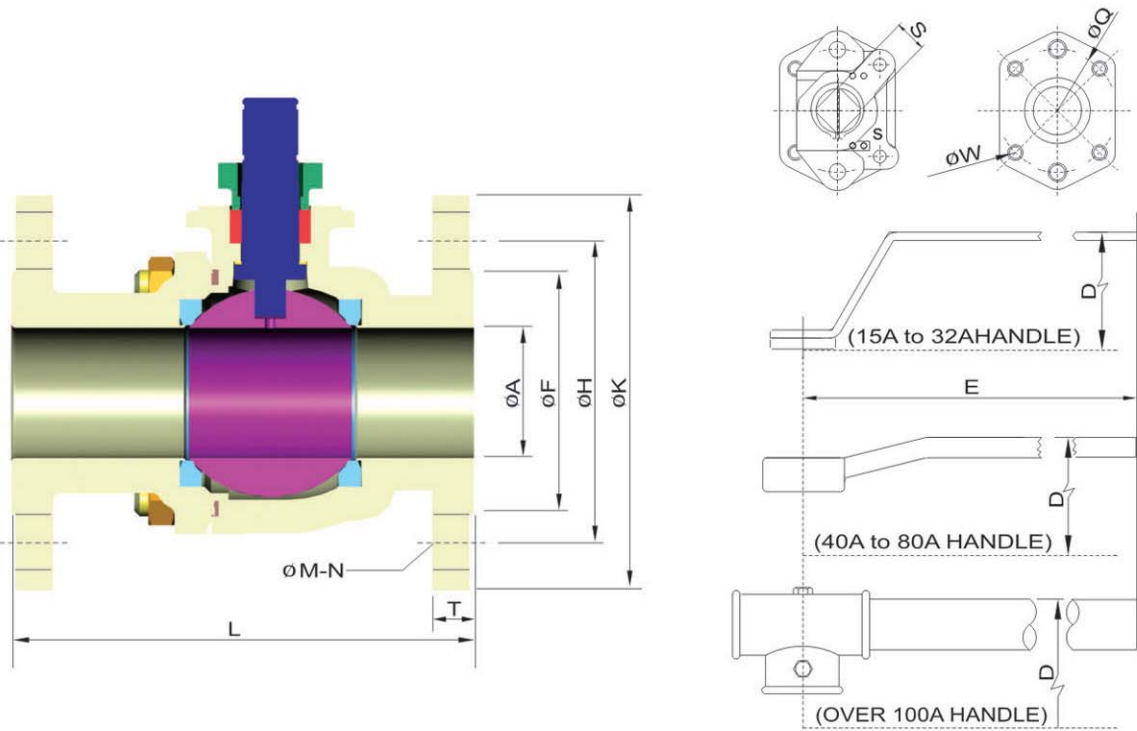
(M.M.)

SIZE	A	D	S	E	L	K	T	H	F	M	N	Q	W	
15	1/2"	15	63	10	130	165	115	20	80	55	19	4	42	M5
20	3/4"	20	68	10	130	190	120	20	85	60	19	4	42	M5
25	1"	25	76	12	160	216	130	22	95	70	19	4	50	M6
40	1-1/2"	38	120	17	224	241	160	24	120	90	23	4	70	M8
50	2"	50	140	17	224	292	165	26	130	105	19	8	70	M8
80	3"	76	180	22	324	356	210	32	170	140	23	8	102	M10
100	4"	100	240	32	550	432	250	36	205	165	25	8	125	M12
150	6"	150	300	35	1000	559	356	44	295	240	33	12	140	M16





**JDV  
CONTROL  
VALVES**



**DIMENSION (JBF-C1 SERIES ANSI-150LB)**

**(M.M.)**

SIZE	A	D	S	E	L	K	T	H	F	M	N	Q	W	
15	1/2"	15	63	10	130	108	89	11.2	60.5	35	16	4	42	M5
20	3/4"	20	68	10	130	117	98	11.2	70	43	16	4	42	M5
25	1"	25	76	12	160	127	108	11.2	79.5	51	16	4	50	M6
40	1-1/2"	38	88	17	224	165	127	14.3	98.5	73	16	4	70	M8
50	2"	50	94	17	224	178	152	15.9	120.5	92	19	4	70	M8
65	2-1/2"	65	115	20	324	190	178	17.5	139.5	105	19	4	70	M8
80	3"	76	120	20	324	203	190	19.1	152.5	127	19	4	70	M8
100	4"	100	195	27	400	229	229	23.9	190.5	157	19	8	102	M10
125	5"	125	220	27	500	356	254	23.9	216	186	22	8	102	M10
150	6"	150	240	32	550	394	279	25.4	241.5	216	22	8	125	M12
200	8"	200	300	35	1000	457	343	28.6	298.5	270	22	8	140	M16
250	10"	250	355	35	1000	533	406	30.2	362	324	25	12	140	M16
300	12"	300	-	46	-	610	483	31.8	432	381	25	12	165	M20

**DIMENSION (JBF-C2 SERIES ANSI-300LB)**

**(M.M.)**

SIZE	A	D	S	E	L	K	T	H	F	M	N	Q	W	
15	1/2"	15	63	10	130	140	95	14.3	66.5	35	16	4	42	M5
20	3/4"	20	68	10	130	152	117	15.9	82.5	43	19	4	42	M5
25	1"	25	76	12	160	165	124	17.5	89	51	19	4	50	M6
40	1-1/2"	38	88	17	224	190	156	20.7	114.5	73	22	4	70	M8
50	2"	50	94	17	224	216	165	22.3	127	92	19	8	70	M8
65	2-1/2"	65	115	20	324	241	190	25.4	149	105	22	8	70	M8
80	3"	76	120	20	324	283	210	28.6	168	127	22	8	70	M8
100	4"	100	195	27	400	305	254	31.8	200	157	22	8	102	M10
150	6"	150	240	32	550	403	318	36.6	290	216	22	12	125	M12
200	8"	200	300	35	1000	502	381	41.3	330	270	25	12	140	M16
250	10"	250	355	35	1000	568	444	47.7	387.5	324	29	16	140	M16
300	12"	300	-	46	-	648	521	50.8	451	381	32	16	165	M20

**DIMENSION (JBF-C3 SERIES ANSI-600LB)**

**(M.M.)**

SIZE	A	D	S	E	L	K	T	H	F	M	N	Q	W	
15	1/2"	15	63	10	130	165	95	20.9	66.5	35	16	4	42	M5
20	3/4"	20	68	10	130	190	117	22.3	82.5	43	19	4	42	M5
25	1"	25	76	12	160	216	124	23.9	89	51	19	4	50	M6
40	1-1/2"	38	120	17	224	241	156	28.7	114.5	73	22	4	70	M8
50	2"	50	150	17	224	292	165	31.8	127	92	19	8	70	M8
80	3"	76	185	22	445	356	210	38.2	168	127	22	8	102	M10
100	4"	100	252	32	550	432	273	44.5	216	157	25	8	125	M12
150	6"	150	322	35	550	559	356	54.1	292	216	29	12	140	M16

## DIMENSION(JBF-D1 SERIES DIN PN10)

(M.M.)

SIZE	A	D	S	E	L		K	T	H	F	M	N	Q	W	
					F4	F5									
15	1/2"	15	63	10	130	115		95	14	65	45	14	4	42	M5
20	3/4"	20	68	10	130	120		105	16	75	58	14	4	42	M5
25	1"	25	76	12	160	125		115	16	85	68	14	4	50	M6
32	1-1/4"	32	84	12	160	130		140	16	100	78	18	4	50	M6
40	1-1/2"	40	88	17	224	140	240	150	16	110	88	18	4	70	M8
50	2"	50	94	17	224	150	250	165	18	125	102	18	4	70	M8
65	2-1/2"	65	115	20	324	170	270	185	18	145	122	18	8	70	M8
80	3"	76	120	20	324	180	280	200	20	160	138	18	8	70	M8
100	4"	100	195	27	400	190	300	220	20	180	158	18	8	102	M10
125	5"	125	220	27	550		325	250	22	210	188	18	8	102	M10
150	6"	150	240	32	550		350	285	22	240	212	22	8	125	M12
200	8"	200	300	35	1000		400	340	24	295	268	22	8	140	M16
250	10"	250	335	35	1000		450	395	26	350	320	22	12	140	M16

## DIMENSION(JBF-D2 SERIES DIN PN16)

(M.M.)

SIZE	A	D	S	E	L		K	T	H	F	M	N	Q	W	
					F4	F5									
15	1/2"	15	63	10	130	115		95	14	65	45	14	4	42	M5
20	3/4"	20	68	10	130	120		105	16	75	58	14	4	42	M5
25	1"	25	76	12	160	125		115	16	85	68	14	4	50	M6
32	1-1/4"	32	84	12	160	130		140	16	100	78	18	4	50	M6
40	1-1/2"	40	88	17	224	140	240	150	16	110	88	18	4	70	M8
50	2"	50	94	17	224	150	250	165	18	125	102	18	4	70	M8
65	2-1/2"	65	115	20	324	170	270	185	18	145	122	18	8	70	M8
80	3"	76	120	20	324	180	280	200	20	160	138	18	8	70	M8
100	4"	100	195	27	400	190	300	220	20	180	158	18	8	102	M10
125	5"	125	220	27	550		325	250	22	210	188	18	8	102	M10
150	6"	150	240	32	550		350	285	22	240	212	22	8	125	M12
200	8"	200	300	35	1000		400	340	24	295	268	22	12	140	M16
250	10"	250	335	35	1000		450	405	26	355	320	26	12	140	M16

## DIMENSION(JBF-D3 SERIES DIN PN25)

(M.M.)

SIZE	A	D	S	E	L		K	T	H	F	M	N	Q	W	
					F4	F5									
15	1/2"	15	63	10	130	115		95	16	65	45	14	4	42	M5
20	3/4"	20	68	10	130	120		105	18	75	58	14	4	42	M5
25	1"	25	76	12	160	125		115	18	85	68	14	4	50	M6
32	1-1/4"	32	84	12	160	130		140	18	100	78	18	4	50	M6
40	1-1/2"	40	88	17	224	140	240	150	18	110	88	18	4	70	M8
50	2"	50	94	17	224	150	250	165	20	125	102	18	4	70	M8
65	2-1/2"	65	115	20	324	170	270	185	22	145	122	18	8	70	M8
80	3"	76	120	20	324	180	280	200	24	160	138	18	8	70	M8
100	4"	100	195	27	400	190	300	235	24	190	162	22	8	102	M10
125	5"	125	220	27	550		325	270	26	220	188	26	8	102	M10
150	6"	150	240	32	550		350	300	28	250	218	26	8	125	M12
200	8"	200	300	35	1000		400	360	30	310	278	26	12	140	M16
250	10"	250	335	35	1000		450	425	32	370	335	30	12	140	M16

## DIMENSION(JBF-D4 SERIES DIN PN40)

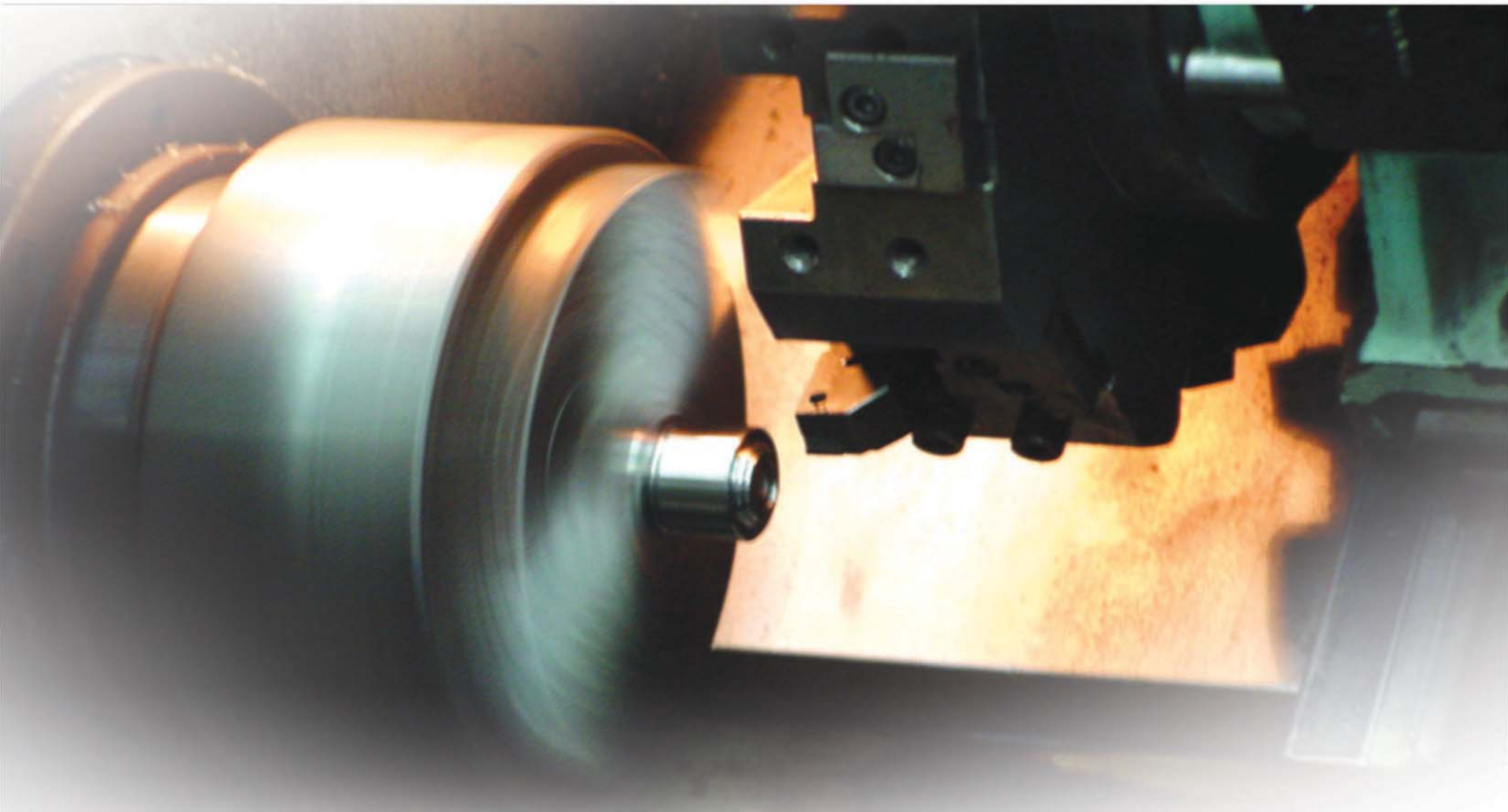
(M.M.)

SIZE	A	D	S	E	L		K	T	H	F	M	N	Q	W	
					F4	F5									
15	1/2"	15	63	10	130	115		95	16	65	45	14	4	42	M5
20	3/4"	20	68	10	130	120		105	18	75	58	14	4	42	M5
25	1"	25	76	12	160	125		115	18	85	68	14	4	50	M6
32	1-1/4"	32	84	12	160	130		140	18	100	78	18	4	50	M6
40	1-1/2"	40	88	17	224	140	240	150	18	110	88	18	4	70	M8
50	2"	50	94	17	224	150	250	165	20	125	102	18	4	70	M8
65	2-1/2"	65	115	20	324	170	270	185	22	145	122	18	8	70	M8
80	3"	76	120	20	324	180	280	200	24	160	138	18	8	70	M8
100	4"	100	195	27	400	190	300	235	24	190	162	22	8	102	M10
125	5"	125	220	27	550		325	270	26	220	188	26	8	102	M10
150	6"	150	240	32	550		350	300	28	250	218	26	8	125	M12
200	8"	200	300	35	1000		400	375	34	320	285	30	12	140	M16
250	10"	250	335	35	1000		450	450	38	385	345	33	12	140	M16





**JDV  
CONTROL  
VALVES**

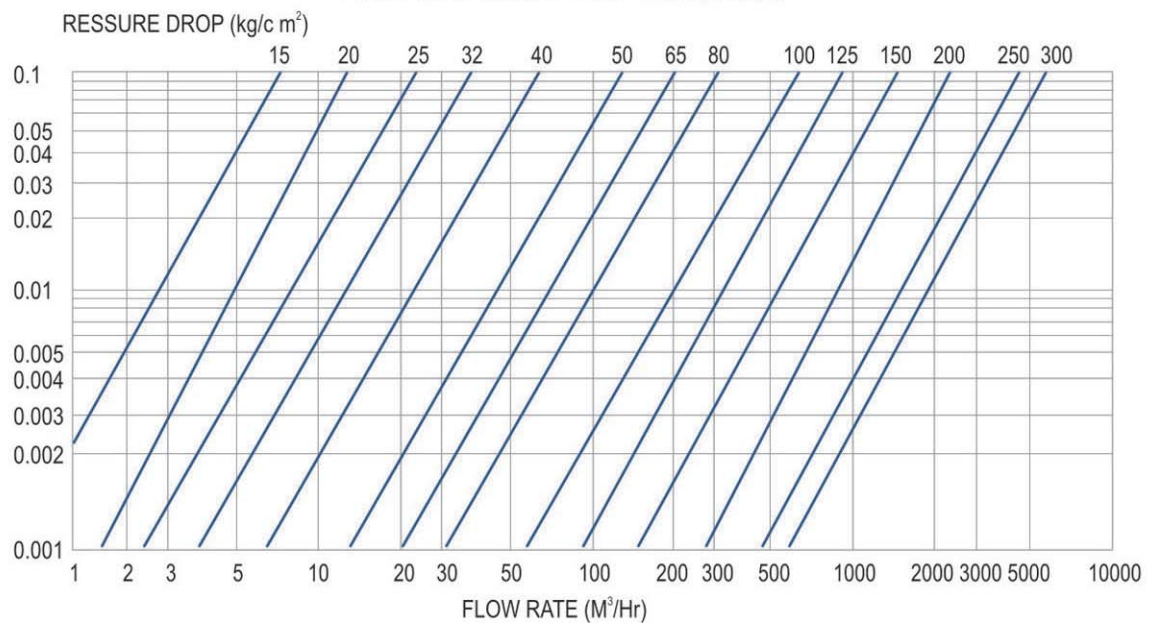


**FULL BORE Cv 全口径Cv值**

SIZE(MM)	15	20	25	32	40	50	60	80	100	125	150	200	250	300
Cv	25	50	90	160	245	460	750	1250	2400	3600	5400	10500	17500	26000

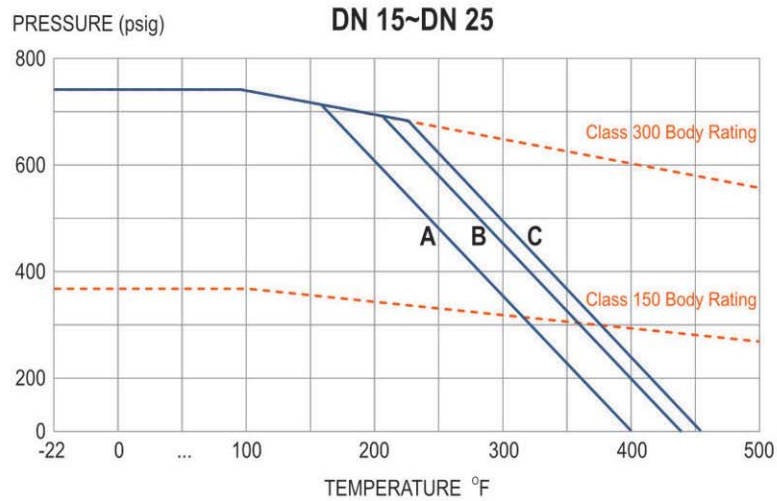
**PRESSURE DROP vs FLOW RATE 压降vs流量**

**FULL BORE BALL VALVE 全口径球阀**

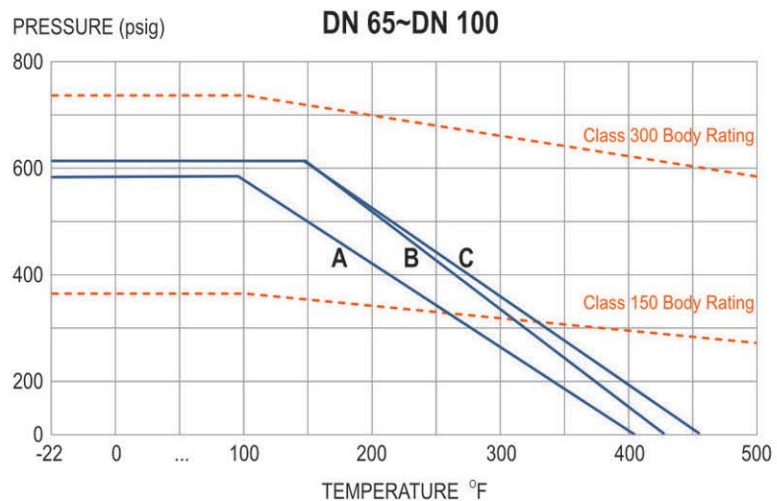
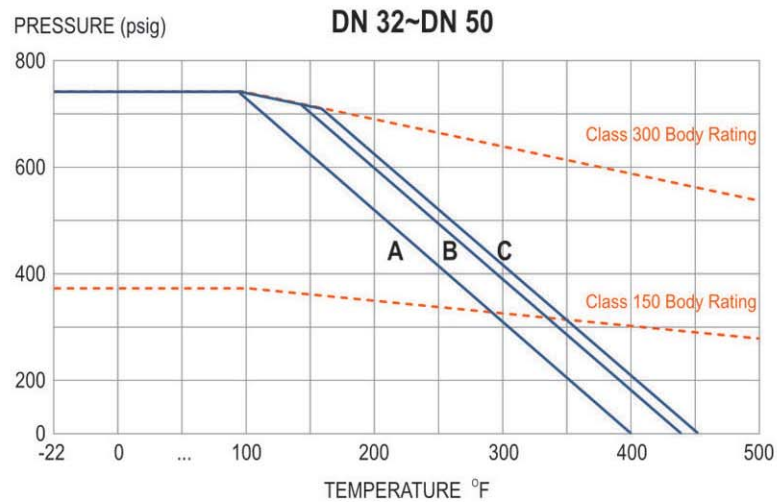


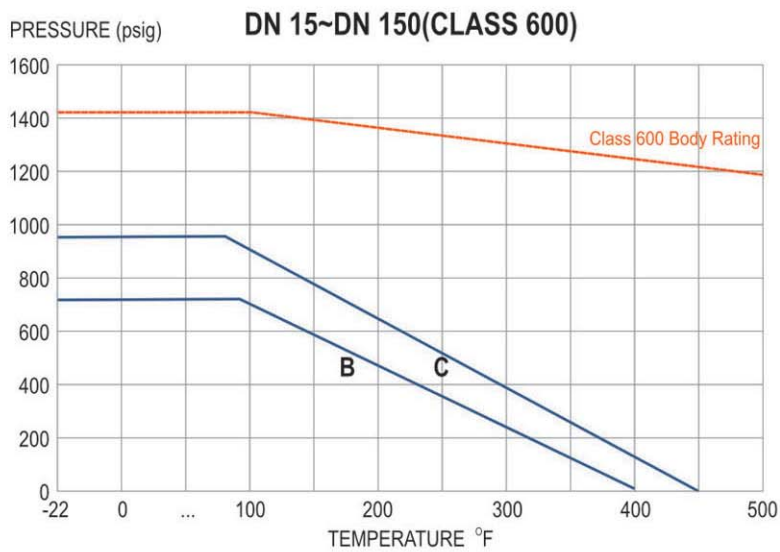
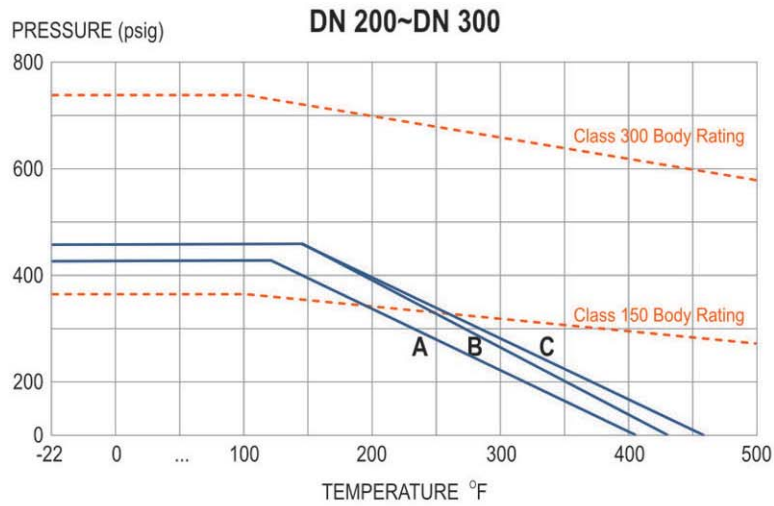
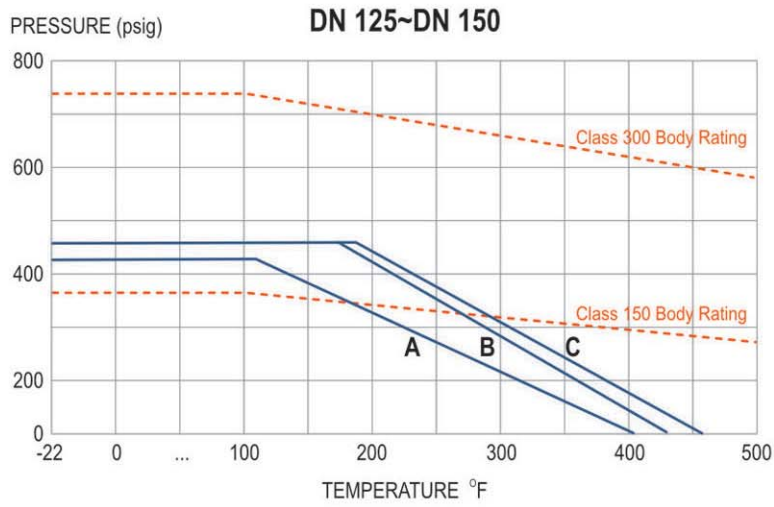


## TEMPERATURE & PRESSURE CURVE 温度&压力曲线



A=Virgin PTFE  
B=Glass Fiber PTFE  
C=Carbon Fiber PTFE





B=Glass Fiber PTFE  
C=Carbon Fiber PTFE





API 6D



ISO 9001

CE

QUALITY Specialty Service  
ate security

## HOW TO ORDER

**JBF** → **A** → **B** → **C** **D** → **E** → **F**

Ex: **JBF** → **A1** → **03** → **A** **P** → **050** → **FLH**

A. SPECIFICATION	B. BODY MAT'L	C. BALL & STEM MAT'L	D. SEAT MAT'L	E. SIZE	F. OPTION
A1 JIS 10K	01 FC-20	A CF8 & 304	P PTFE	015 1/2"	F FIRE SAFE
A2 JIS 20K	02 WCB	C CF8M & 316	G 15%GLASS FIBER+PTFE	020 3/4"	L LONG STEM
A3 JIS 40K	03 CF8	D CF3 & 304L	C 15%CARBON+PTFE	025 1"	H LEVER
C1 ANSI 150LB	04 CF8M	E CF3M & 316L	S 50%SS316+50%PTFE	032 1-1/4"	G GEAR BOX
C2 ANSI 300LB	05 CF3	F CG8M & 317	T TFM-1600	040 1-1/2"	
C3 ANSI 600LB	06 CF3M	H CG3M & 317L	E PEEK	050 2"	
D1 DIN PN10	07 CG8M			065 2-1/2"	
D2 DIN PN16	08 CG3M			080 3"	
D3 DIN PN25	11 LCB			100 4"	
D4 DIN PN40	12 LCC			125 5"	
				150 6"	
				200 8"	
				250 10"	
				300 12"	

# HOW TO ORDER