



JDV  
CONTROL  
VALVES

# JSB Series

V-Port Segment Control Valve

V型控制阀





# JSB Series

## V-Port Segment Control Valve

### V型控制球阀



The JSB Series of rotary valve is the throttling control ball valve that provides high valve capacity with optimum flow characteristic for wide industrial services such as Pulp and Paper, Refinery, Chemical, and Petrochemical Industries.

JSB系列旋转阀具有优化的流量特性,能够提供较大的阀门流通能力,被广泛应用于造纸、炼油、化工及石化等工业领域.

## Product Features

### 产品特性

1. 一片式的阀体设计可防阀体外漏.
2. V型开口球阀能为含固体颗粒的流体提供大的流通能力.
3. V型阀球上下有固定支承,减少操作扭矩.
4. V型切口的球面与阀座之间有剪切作用,能够切断及刮除含纤维介质、高黏度介质、含固体颗粒的流体,使之畅通无阻.
5. 弹簧支撑型金属阀座,使V型球阀转动时更为顺畅.
6. 软密封阀座和金属密封阀座可互换以满足不同工况,更换阀座步骤简单方便.
7. 阀体有自动泄压功能.
8. 近似等百分比流量特性.
9. 连接方式可选对夹式或法兰式.
10. 一体式安装平台.
11. 防静电装置.
12. 阀盖拆卸方便,简化了更换内部零件的步骤.



## Applications

1. Slurry and viscous fluid
2. Powder and particles in fluid
3. Chips and fibers in pulp and paper process
4. Flow control
5. Pressure control

## 适用场合

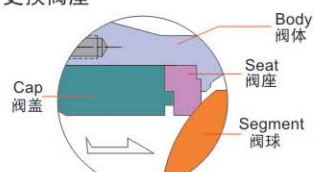
1. 浆料及粘性流体
2. 含粉尘和硬质颗粒的流体
3. 造纸过程中的纸浆、碎屑和纤维
4. 流量控制
5. 压力控制

## V-Port Segment Valve

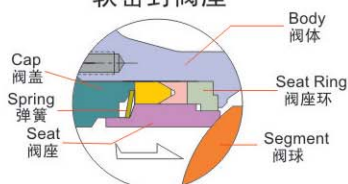
Feature 6

Interchangeable seats

可更换阀座



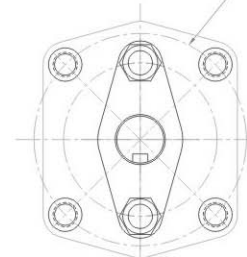
**SOFT SEAT**  
软密封阀座



**METAL SEAT**  
金属密封阀座

ISO 5211 Mounting Pad

安装平台



Feature 10

Integral mounting pad

整体式安装平台

Feature 9

Optional flangeless or flange connections  
连接方式可选对夹式或法兰式

Feature 1

1-PC Body design  
一片式阀体设计

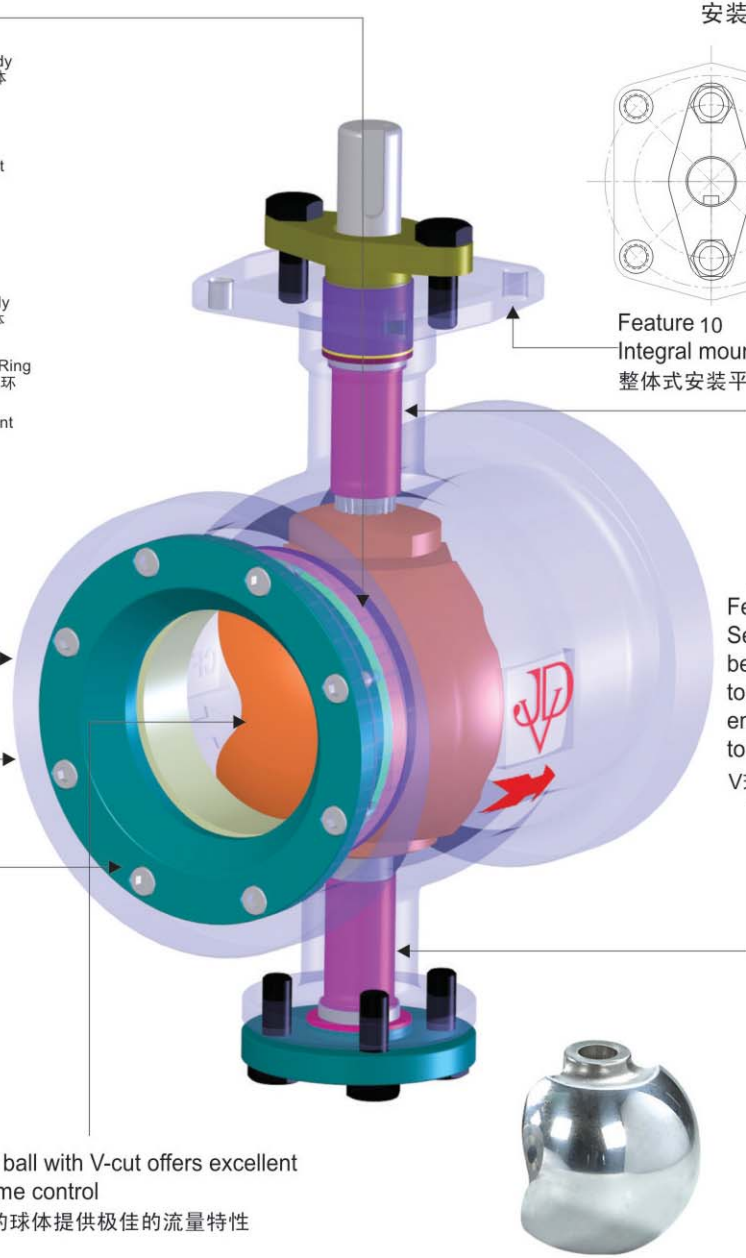
Feature 12

Easily removed cap design  
易拆卸阀盖

Feature 3

Segment ball with bearing design on top and bottom enables the operation torque to be lower.  
V球上下轴承支撑

Segment ball with V-cut offers excellent flow volume control  
V型开口的球体提供极佳的流量特性





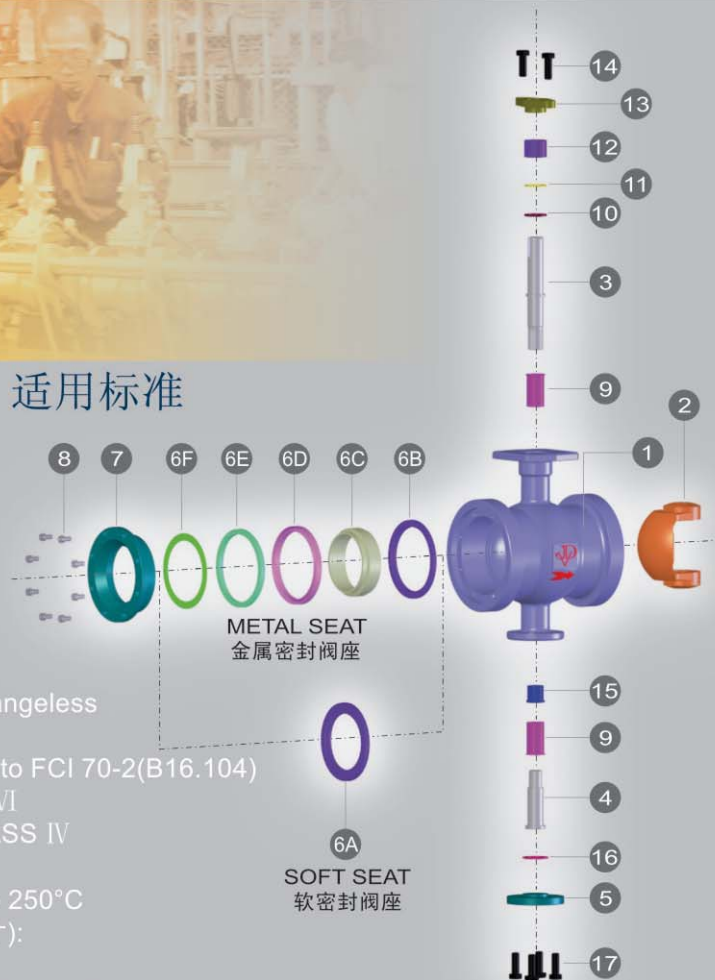


**JDV  
CONTROL  
VALVES**



## Applicable Standards 适用标准

- Body material(阀体材质):  
Standard in WCB,CF8,CF8M  
Special material is available according to requirements.
- Nominal size(公称直径):  
1"to12"(DN25 to DN300)
- Pressure rating(压力标准):  
JIS 10/20K&ANSI 150/300LB
- End connections(端部连接形式):RF, Flangeless
- Rangeability:Greater than 150:1
- Seat leakage(阀座泄漏标准):according to FCI 70-2(B16.104)  
(a)Soft seat(软密封阀座):ANSI CLASS VI  
(b)Metal seat(金属密封阀座):ANSI CLASS IV  
(根据客户特殊要求可达 CLASS V )
- Temperature Range(温度范围):-20°C to 250°C
- Face to face dimension(法兰面间距尺寸):  
According to ISA S75.04
- Fire Test (防火安全设计):Conform to API 607 4TH



## Technical Specification

### MATERIAL 材质表

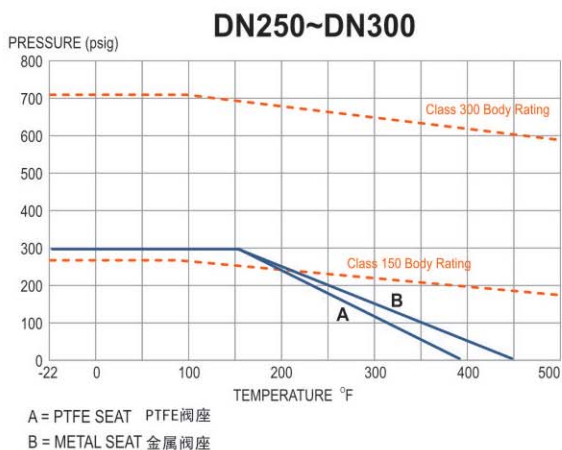
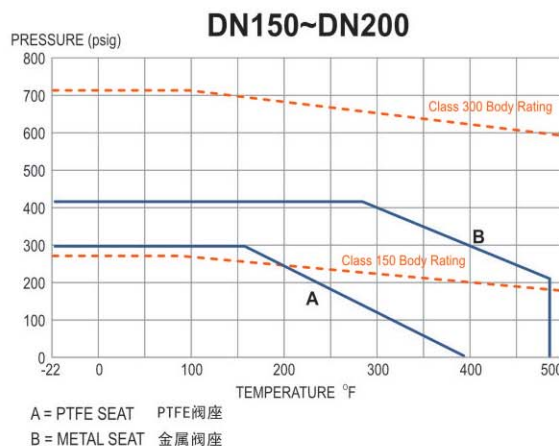
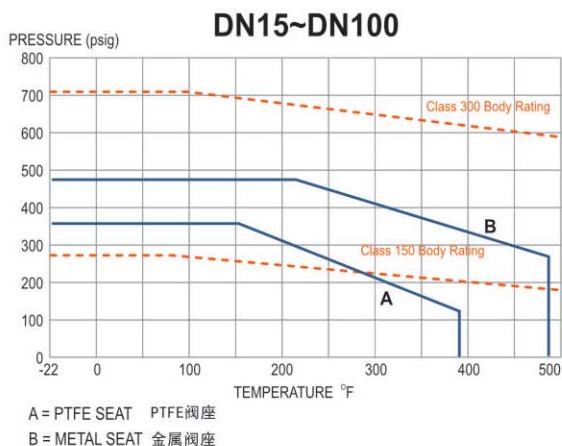
NO	料件名称	材 质		
1	BODY 阀体	WCB	CF8	CF8M
2-1	SEGMENT - SOFT SEAT	CF8		CF8M
2-2	SEGMENT - METAL SEAT	CF8+HCr		CF8M+HCr
3	STEM 阀杆	SUS 304		SUS 316
4	SHAFT 支撑轴	SUS 304		SUS 316
5	END COVER 底盖	WCB	CF8	CF8M
SOFT SEAT	6A SEAT 阀座	15%R-PTFE		
METAL SEAT	6B SEAT SUPPORT 支撑环	SUS 304		SUS 316
	6C SEAT 阀座	SUS 304+STELLITE		SUS316+STELLITE
	6D PACKING 填料	PTFE/GRAPHITE		
	6E SEAT GLAND 阀座压环	SUS 304		SUS 316
	6F SPRING 弹片	INCONEL X750		
7	CAP 阀盖	CF8		CF8M
8	BOLT 螺栓	SUS 304		SUS 316
9	THRUST BEARING	SUS316+TFE		
10	WASHER	PTFE		
11	WASHER	SUS 316		
12	GLAND PACKING 压盖填料	PTFE/GRAPHITE		
13	GLAND 阀盖	SCS13		
14	GLAND BOLT	SUS304		
15	SUPPORT	SUS316		
16	COVER GASKET	PTFE/GRAPHITE		
17	COVER BOLT	SUS304		

Notes:

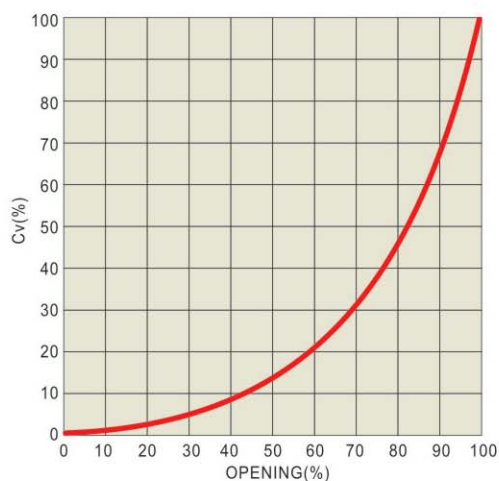
HCr = Hard Chrome Plated 镀硬铬

Above materials may vary with different using conditions.  
以上阀门部件的材质为标准配置，可根据客户需求和工况选择其他材质

## TEMPERATURE & PRESSURE CURVE 温度&压力曲线



## 固有流量特性



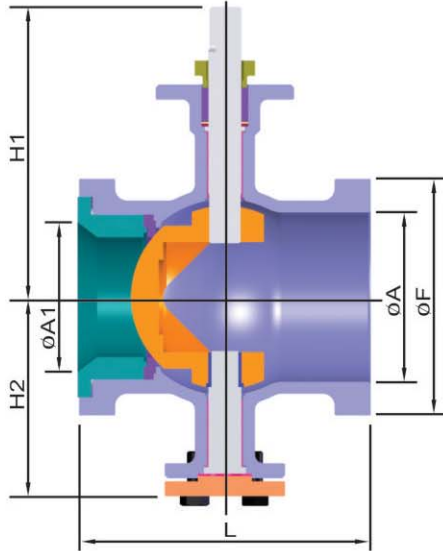
Cv VALUES										
SIZE	OPENING %									
	10	20	30	40	50	60	70	80	90	100
1"	0.01	0.52	1.66	3.44	5.87	9.11	13.36	18.83	27.54	40.50
1-1/2"	0.02	1.06	3.35	6.95	11.85	18.38	26.96	38.00	55.55	81.70
2"	0.04	1.68	5.30	11.00	18.75	29.10	42.67	60.12	87.90	129.30
2-1/2"	0.06	2.79	8.80	10.23	31.10	40.26	70.78	99.74	145.86	214.50
3"	0.10	4.54	14.30	29.67	50.62	78.50	115.20	162.30	237.40	349.10
4"	0.15	6.57	20.70	43.00	73.30	113.70	166.80	235.00	343.70	505.50
6"	0.38	16.70	52.70	109.30	186.50	289.50	424.54	598.20	874.80	1286.50
8"	0.50	21.90	69.00	143.00	244.10	378.90	555.68	783.00	1145.00	1683.90
10"	0.93	39.58	124.85	258.80	441.50	685.13	1004.80	1416.00	2040.00	3045.00
12"	1.29	55.96	176.50	366.00	624.20	968.60	1420.60	2001.80	2927.40	4305.00

※ Above values are just for reference, and the exact values will be presented by the practical testing.

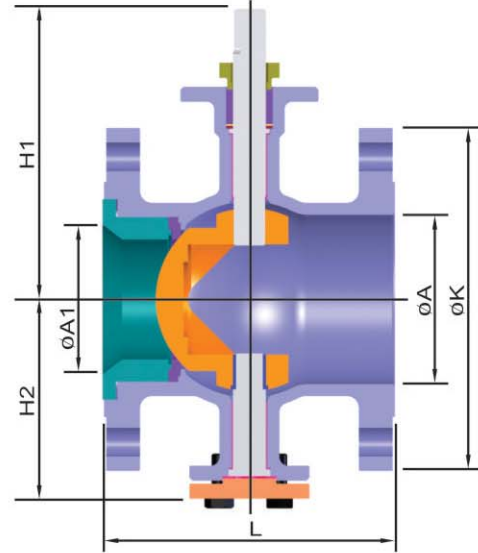




**FLANGELESS TYPE 对夹式**



**FLANGED TYPE 法兰式**



**DIMENSION FOR FLANGELESS TYPE (JSB-CLASS 150/300LB(10K/20K)) (M.M.)**

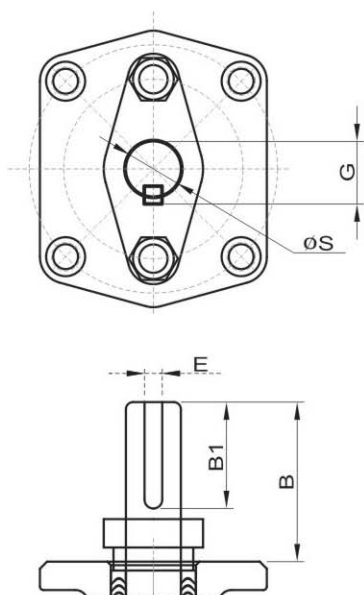
SIZE	A	A1	F	L	H1	H2	B	B1	E	G	S	ISO 5211
25 1"	33	25	64	102	120	70	33	20	5	17.5	15.5	F05
40 1-1/2"	50	40	82	114	134	85	45	30	5	17.5	15.5	F07
50 2"	60	50	100	124	142	92	45	30	5	17.5	15.5	F07
65 2-1/2"	73	65	105	140	150	102	45	30	5	17.5	15.5	F07
80 3"	89	80	127	165	164	113	45	30	8	25	22	F07
100 4"	113	100	156	194	194	135	52	30	8	25	22	F10
150 6"	160	132	216	229	232	171	52	30	8	28	25	F10
200 8"	203	200	270	243	280	210	70	45	8	33	30	F12
250 10"	260	250	326	297	370	250	80	50	10	40	35	F12
300 12"	300	280	375	338	450	260	87	55	10	45	40	F14

Face to face dimension L according to ISA S75.04.

**DIMENSION FOR FLANGED TYPE (JSB-CLASS 150/300LB (10K/20K)) (M.M.)**

SIZE	A	A1	150LB	300LB	10K	20K	L	H1	H2	B	B1	E	G	S	ISO5211
			K	K	K	K									
25 1"	33	25	108	124	125	125	127	120	70	33	20	5	17.5	15.5	F05
40 1-1/2"	50	40	127	156	140	140	165	134	85	45	30	5	17.5	15.5	F07
50 2"	60	50	152	165	155	155	178	142	92	45	30	5	17.5	15.5	F07
65 2-1/2"	73	65	178	190	175	175	190	150	102	45	30	5	17.5	15.5	F07
80 3"	89	80	190	210	185	200	203	164	113	45	27	8	25	22	F07
100 4"	113	100	229	254	210	225	229	194	135	52	30	8	25	22	F10
150 6"	160	132	279	318	280	305	267	232	171	52	30	8	28	25	F10
200 8"	203	200	343	381	330	350	292	280	210	70	45	8	33	30	F12
250 10"	260	250	406	444	400	430	297	370	250	80	50	10	40	35	F12
300 12"	300	280	483	521	445	480	338	450	260	87	55	10	45	40	F14

Face to face dimension L according to ISA S75.04.



ISO 9001

CE

## HOW TO ORDER

**JSB** → **A** → **B** → **C** **D** → **E** → **F**

Ex: **JSB** → **W1** → **04** → **C** **M** → **050** → **FH**

A. SPECIFICATION	B. BODY MAT'L	C. TRIM MAT'L	D. SEAT TYPE
<b>W1</b> FLANGELESS	02 WCB	A CF8	P PTFE SEAT
A1 JIS 10K	03 CF8	C CF8M	M METAL SEAT
A2 JIS 20K	04 CF8M	D CF3	
C1 ANSI 150LB	05 CF3	E CF3M	
C2 ANSI 300LB	06 CF3M	F CG8M	
D1 DIN PN10	07 CG8M	H CG3M	
D2 DIN PN16	08 CG3M		
D3 DIN PN25			
D4 DIN PN40			

E. SIZE	F. OPTION
025 1"	F FIRE SAFE
040 1-1/2"	L LONG STEM
050 2"	H LEVER
065 2-1/2"	G GEAR BOX
080 3"	
100 4"	
150 6"	
200 8"	
250 10"	
300 12"	

# HOW TO ORDER